

# ATLITE



## STRecessed

Shallow Steel Recessed  
Emergency Unit  
Incandescent Lamps

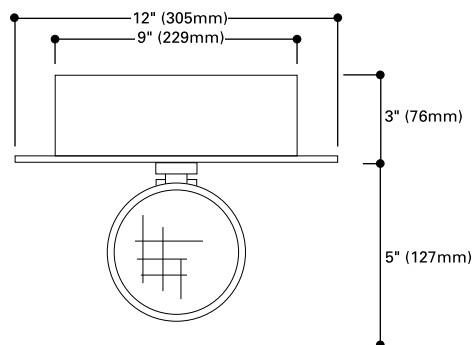
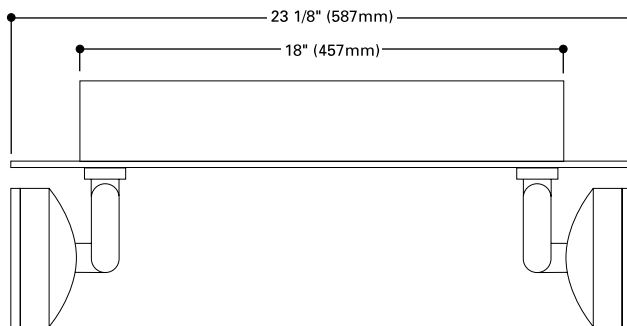
### EMERGENCY LIGHTING

- Dual 120/277 VAC 60Hz input
- Solid state charger and transfer circuitry (no relays or fuses)
- Two step charger, temperature compensated
- Circuit is battery short circuit and reverse polarity protected
- Brownout protection, low voltage disconnect.
- 6 or 12 volt long life, maintenance-free, sealed lead calcium (standard) or nickel cadmium battery
- Meets or exceeds all current UL 924 requirements and applicable sections of the Life Safety Code
- Standard finish, durable white powder coat
- Steel units fabricated of 18 gauge steel. For lay-in installation in T-bar grid ceilings, to be secured with tie wires
- Local 3 IBEW

### DESCRIPTION

The ST Recessed Series is a full 6 or 12 volt system packaged in an attractive metal housing. Ideal for locations with limited height availability where the size of emergency lighting must be kept to a minimum without sacrificing dependability or light output.

### DIMENSIONS



### ORDERING INFORMATION

Catalog No.	Capacity in Watts (Hours)				DC Voltage
	1.5	2	3	4	
6ST1	25	20	14	10	6
6ST4	50	36	25	18	6
6ST5	72	42	30	24	6
12ST1	25	20	14	10	12
12ST4	50	36	25	18	12

### ACCESSORIES

Description	Code
Cord Sets	
120 Volt	3 CP
277 Volt (Specify male plug type)	0 CP

### OPTIONS: Add to Catalog No.

Description	Code
No heads	0
One head	1
Three heads	3
Four heads	4
Voltmeter	V
Time Delay	TD
New York City Approved	NY
Nickel Cadmium Battery	NC
Laser Option Installed	L*
Laser Option installed with pointer supplied LP*	
(2) Units may <b>not</b> be equipped with a voltmeter and ammeter at the same time.	
* See page 40 for time delay selection.	

### HALOGEN LAMP OPTIONS:

Unit	Watt Lamp only	Replacement Lamp No.
6 Volt (all units)	12	6 HB 12
12 Volt (all units)	12	12 HB 12

Note: When using halogen lamps, total connected lamp load must be at least 80% of 90 min. rating, or premature lamp failure may occur.